



■ ■ ■ ■ Radio System ■

MVRD1000

Digital Radio System

Digital Radio System

MVRD1000

The MVRD1000 digital communication unit is a robust transmitter/receiver system for wireless image transmission. The compact units transmit the digital signals from a camera quickly and without delay to the monitor over long distances. Up to 10 device pairs operated in parallel offer high vehicle adaptation and visibility flexibility.



Key Facts

- High range (up to 120 m)
- Digital transmission
- Up to 10 device pairs operated in parallel
- Robust metal housing
- Operating and status display
- Small, compact design
- Water and dust-proof (IP67)
- Robust plug connector
- Low power consumption

Scope of supply

Video signal receiver	4050042000
Video signal transmitter	4050043000
Operating instructions	1030000169

Accessories

Description	Match code	Scope of application
Connection cable	MK761.xx	For connection to vehicle on-board network.
System cable	MKSxx	For the camera/monitor cable or power supply.
Connection cable	M496.xx	For direct connection to a Motec monitor via Mini-DIN.
Connection cable	MK715.xx	For direct connection of a MB12xx or a MB14xx to the MVRD1000-TX instead of camera.

Please make sure that the cable lengths or product types (designated xx above) are customized to their application.

Standards/Certificates/Quality Seals

- (E13) 10R - 05 13538

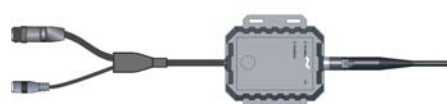
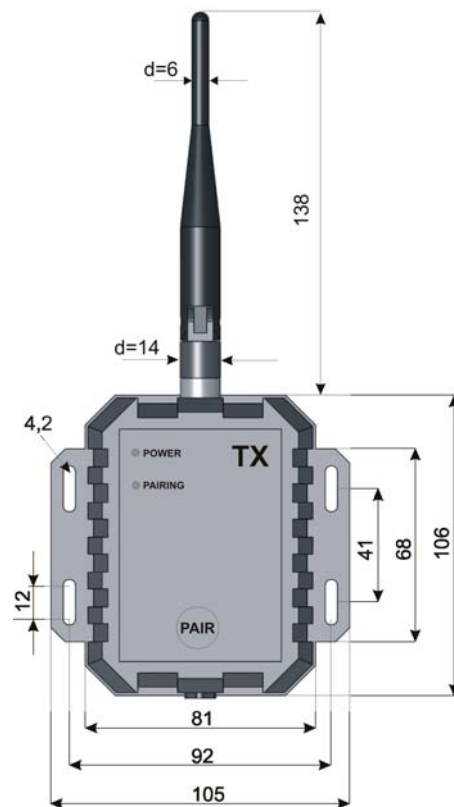
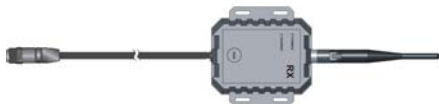
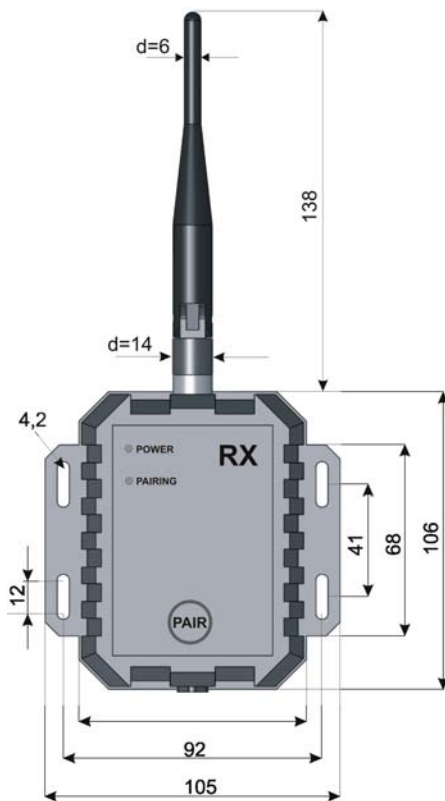


Technical specifications

Video transmitter	MVRD1000-TX
Power Supply	9 V...32 V DC
Power Supply (Camera)	12 V DC
Power consumption	Max. 4,5 W
Housing protection class	IP67
Housing	Metal
Operating frequency	2400 MHz...2483,5 MHz
TV System	PAL 25 f/s/NTSC 30 f/s
Video-Codec	MPEG4
RF Bit Rate	6 Mbps
Hopping Rate	1200/s
Latency	200 ms
Out Power	18 dBm EIRP
Line of Sight Range	120 m
Operating Temperature	-20 °C...+70 °C RH90 %
Storing Temperature	-30 °C...+80 °C RH90 %

Video receiver	MVRD1000-RX
Power Supply	9 V...32 V DC
Power consumption	Max. 2 W
Housing protection class	IP67
Housing	Metal
Operating frequency	2400 MHz...2483,5 MHz
TV System	PAL 25 f/s/NTSC 30 f/s
Video-Codec	MPEG4
RF Bit Rate	6 Mbps
Hopping Rate	1200/s
Latency	200 ms
Spread spectrum	FHSS
Receiving Sensitivity	-86 dBm
Line of Sight Range	120 m
Operating Temperature	-20 °C...+70 °C RH90 %
Storing Temperature	-30 °C...+80 °C RH90 %

All dimensions (mm)



Distribuidor Autorizado México
Drill Company, S.A. de C.V.

Teléfono: **5555.066.512**
mail: ventas@mhsignal.com

MHSIGNAL®



www.mhsignal.com