



MD3071A
Heavy-Duty Monitor

Heavy-Duty Monitor

MD3071A

The 7" MD3071A monitor is the strongest product from the Motec monitor range. Developed and manufactured in Germany. Continuous software updates make it future-proof, and it is full to bursting with intelligent functions for many heavy duty applications in various areas.

It comes equipped with back-lighting of typ. 500 cd/m² and a contrast ratio of 800 (0°), allowing the MD3071A to deliver brilliant images in very high quality. An extensive range of functions to choose from via the menu allows the direct connection and configuration of up to 2 cameras and an external video controller with up to 4 additional cameras.



Key Facts

- 7" monitor (17.8 cm screen diagonal)
- Flat and compact design
- PAL/NTSC video system
- Future-proof due to continuous software updates
- Supply voltage of 9 V...60 V DC
- Connection of up to 2 cameras and one additional external video controller (for up to 4 more cameras)
- Automatic dimmer function
- Back-lit keyboard
- Deep, serial light protection hood (impact protection conformity)
- Made in Germany

Package contents

MD3071A monitor	401 3071 005
MK3071A-AK connection cable fused (3 m)	812 0079 014
D-SF splay foot	406 0089 034
Light protection hood	406 0168 001
Retaining screw for GMF-TFT splay foot	813 0055 007
Operating instructions	103 0000 158

Operation

- Keyboard locking function
- Extensive selection of functions
- Horizontal and vertical image mirroring
- Automatic brightness adjustment
- Back-lit operating elements
- Administrator and user rights
- Advanced "Expert" functions

Image visualisation

- Single frame mode
- PAL-480 visualisation (no image distortion)
- 16:9 format

Technical data

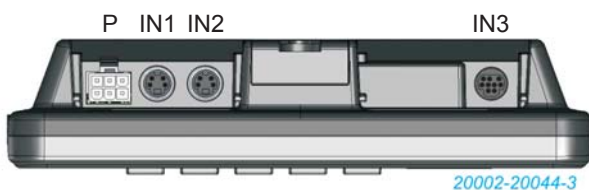
Housing protection class	IP 30	Power consumption (without cameras)	560 mA...120 mA (@ 9 V...60 V DC)
Back-lighting	Typ. 500 cd/m ²	Power consumption	26 W
Screen diagonal	17.8 cm (7"/16:9)	Weight	620 g inc. light protection hood
Resolution	H 800 x 3 (RGB) x V 480 pixels	Mechanical strength	- Harmonics EN60068-2-6: 5 g (60 Hz...500 Hz)/ 0.35 mm (10 Hz...60 Hz)/ 2 h per axis - Broadband noise EN60068-2-64: 7.9 m/s ² RMS class B/5 Hz...150 Hz /5 h per axis - Shock EN60068-2-27: 50 g/11 ms/6 shocks per axis, 3 x positive, 3 x negative - Continuous shock EN60068-2-27: 30 g/1000 per axis/11 ms/1 h per axis
Video inputs	3		
Operating temperature	-30 °C...+80 °C		
Storage temperature	-30 °C...+80 °C		
Control cables (input)	0 V... 60 V DC, RIN > 8 kΩ, switching threshold approx. 6 V (high active)		
Contrast ratio	800 (0°)		
Viewing angle	H 120°/V 100° (CR ≥ 10)		
Video signal	FBAS (CVBS)		
Video system	PAL/NTSC		
Signal input	1 Vpp (30 % Sync. neg.)/75 Ω		
Power supply	9 V...60 V DC		
Fuse	5 A/250 V AC IEC 60127-2		

Standards/Certificates/Quality Seals

- (E13) 10R-04 13417
- EN 12895 forklift trucks
- EN 13309 construction machinery
- EN 14982 agricultural/forestry machinery
- ISO 13766 earth-moving equipment
- EN 50121-3/4 rail

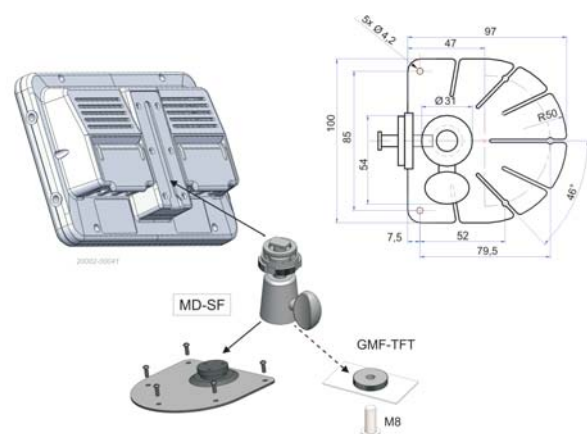
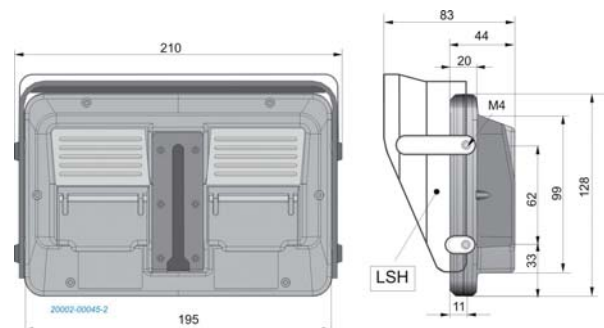


Plug connection



- Connection option for 2 cameras and additional connection for external video controller
- Integrated strain relief for the plug connectors (no loosening due to vibration)

Dimensions in mm



Distribuidor Autorizado México
Drill Company, S.A. de C.V.

Teléfono: **5555.066.512**
mail: **ventas@mhsignal.com**

MHSIGNAL®



www.mhsignal.com