

Camera (Colour)

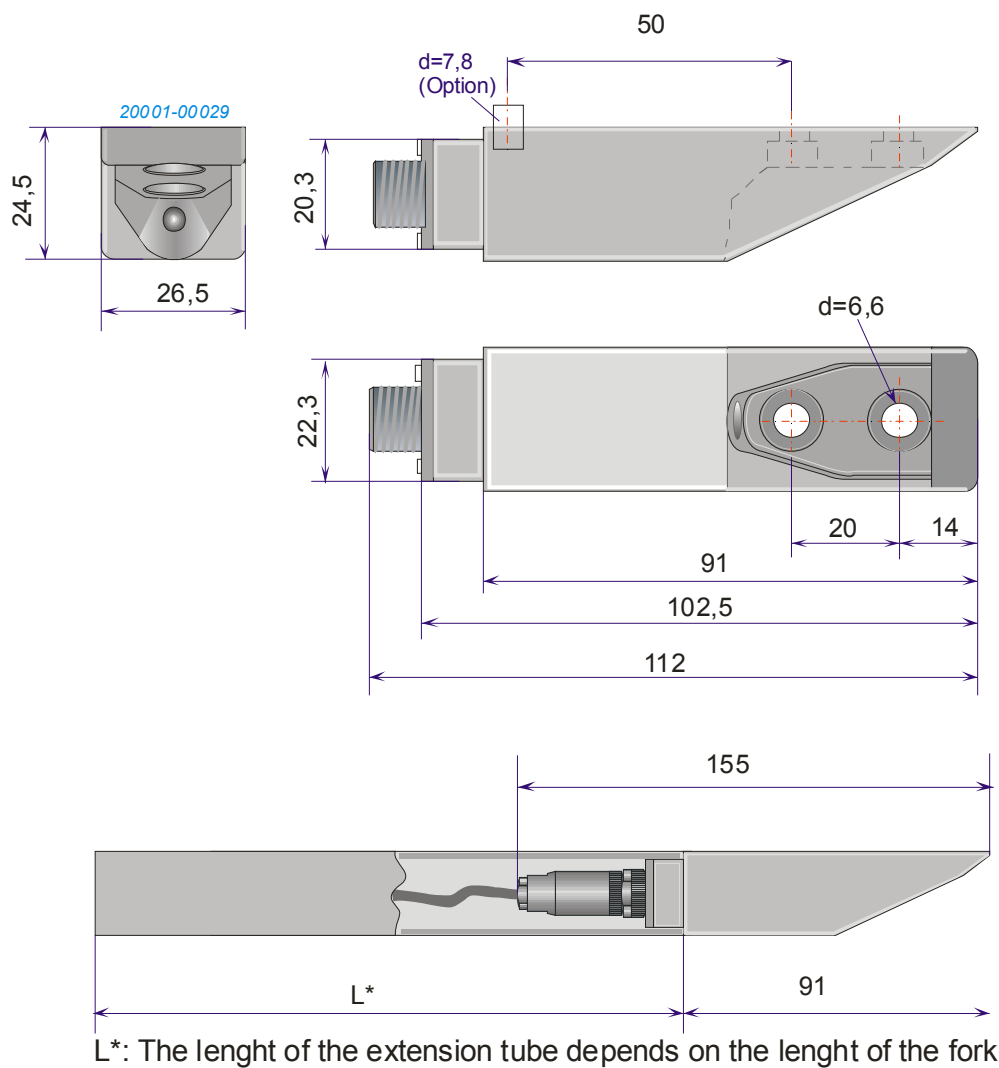
MC9000 Series



Technical Data

Housing protection class	IP69K
Shock resistance	100g / 11ms / 3 axis à 6x / half sine 40g / 6ms / 3 axis à 100x / half sine
Vibration resistance	10g / 3 axis à 2h / sine 1g / 3 axis à 30min / noise
Housing	stainless steel
Horizontal image angle	50° (MC9050) 30° (MC9030)
Min. light intensity	0,025 lx (50 IRE) F1.2 3200K
Resolution	640 (h) x 480 (v)
Image sensor	MT9V126, CMOS 1/4"
Video signal	FBAS/ 1Vpp(30% Sync neg)/75Ohm
Video system	PAL
Video frequency	50 Hz
Voltage supply	12V DC +/- 10%
Current consumption	80 mA
Operating temperature	-40°C...+80°C (<90% r.F.)
Storage temperature	-40°C...+85°C (<90% r.F.)
Weight	ca. 250 g
Connector	M12

Dimensions



Distribuidor Autorizado México
Drill Company, S.A. de C.V.

Teléfono: **5555.066.512**
 mail: ventas@mhsignal.com

MHSIGNAL



www.mhsignal.com