

# Camera (Colour)

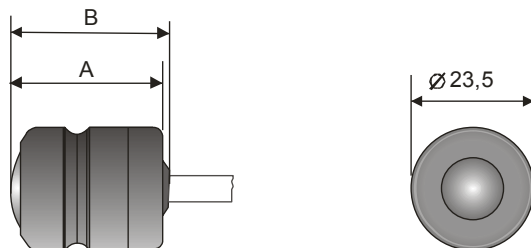
## MC7000P-E series



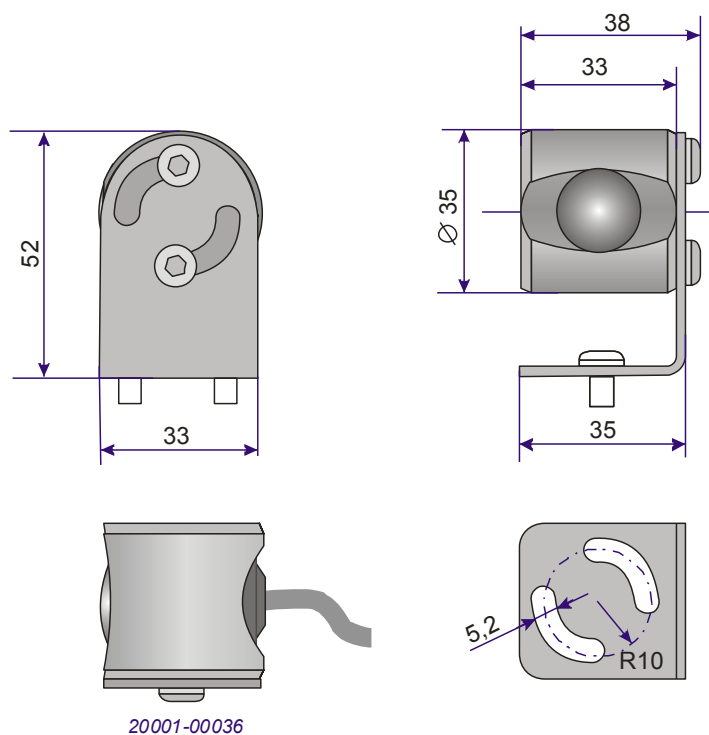
### Technical Data

Housing protection class	IP69K
Shock resistance	50g / 11ms DIN EN 60068-2-27
Vibration resistance	± 5g / ± 0,35mm DIN EN 60068-2-6
Housing	Aluminium
Horizontal image angle	70°/ 90°/ 115°
Min. light intensity	< 1 lx
Resolution	640 (h) x 480 (v)
Image sensor	CMOS ¼"
Video signal	FBAS, 1 Vss / 75 Ohm
Voltage supply	12 V DC (max. 11V ... 16V DC)
Current consumption	max. 60mA
Operating temperature	-35° C ... +65° C (<90% r.h.)
Storage temperature	-40° C ... +85° C (<90% r.h.)
Video system	PAL
Weight	80 g
Salt fog resistant	IEC 60068-2-11

## Dimensions camera series MC7000P (housing)



## Dimensions camera MC7000P-E (stainless steel holder)



All dimensions are in mm

Kamera	A	B	C
MC7xxxP-E-3	27,8	29	49,3
MC7xxxP-E-4	29,1	30,3	50,6

Distribuidor Autorizado México  
Drill Company, S.A. de C.V.

Teléfono: 5555.066.512  
mail: [ventas@mhsignal.com](mailto:ventas@mhsignal.com)

**MH**SIGNAL®



[www.mhsignal.com](http://www.mhsignal.com)